

MS1115

Mariner Kit for use with the HP L1950 19-inch TFT monitor (Wall mount)



The HP L1950 19-inch TFT monitor is type-approved by all of the major international marine Classification Societies when it is installed in conjunction with our Mariner Kit MS1115.

The MS1115 Mariner Kit is designed to fit onto any vertical surface and affords protection against the effects of vibration and shock experienced in the offshore marine environment. The combination has been type-tested against IACS Unified Requirement E10 and the relevant sections of IEC60945 (see below right for test details).

This type-approved combination of hardware and Mariner Kit can be used as the platform for your critical navigation, control, loading and general purpose applications (please check individual type-approval certificates for any restrictions).

Please note that although the monitor does retain its standard functionality we do not offer an automatic dimming function and it can not therefore be used in the front of the bridge where it may affect night vision. However, the TFT monitor can be used in any area where night vision is not an issue.

“Proven solutions for a demanding environment”



WHAT IS SO SPECIAL ABOUT THE HP L1950 19-INCH TFT MONITOR?

- ◆ Experience crisp, clear views of images, video and text with substantial brightness, improved contrast ratios (800:1) and fast 5 ms response times, all on a 19-inch diagonal screen
- ◆ Native 1280 x 1024 resolution with over 16 million colours
- ◆ One 15-pin mini D-sub analog VGA and one DVI-D (VGA analog or digital) interfaces future proof your monitor investment
- ◆ The on-screen display button controls on the monitor front allows quick and easy adjustment of brightness, contrast and numerous other settings
- ◆ Reduced eyestrain and fatigue with anti-static and anti-glare film coatings
- ◆ Help protect against image retention and reduce power consumption and energy costs with HP Display LiteSaver, which allows pre-scheduled Sleep Mode, and extend the life of the monitor
- ◆ Environmentally sound design uses recyclable plastics for low emissions (TCO03)
- ◆ Global product availability
- ◆ Three-year limited parts and repair labour on-site warranty

This Mariner system is type-tested against the consolidated, 'worst-case' requirements of all the major international marine Classification Societies:

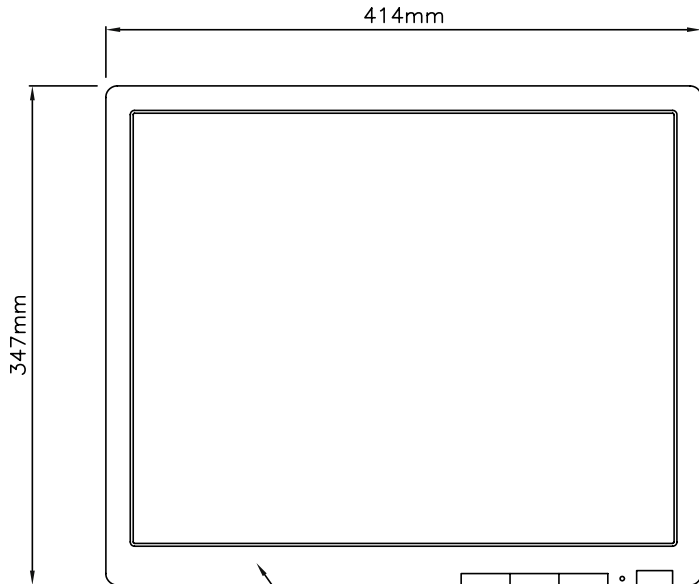
ABS, BV, CCS, DNV, GL, KR, LR, NKK, PRS, RINA

Type-tests included on the test programme are as follows:

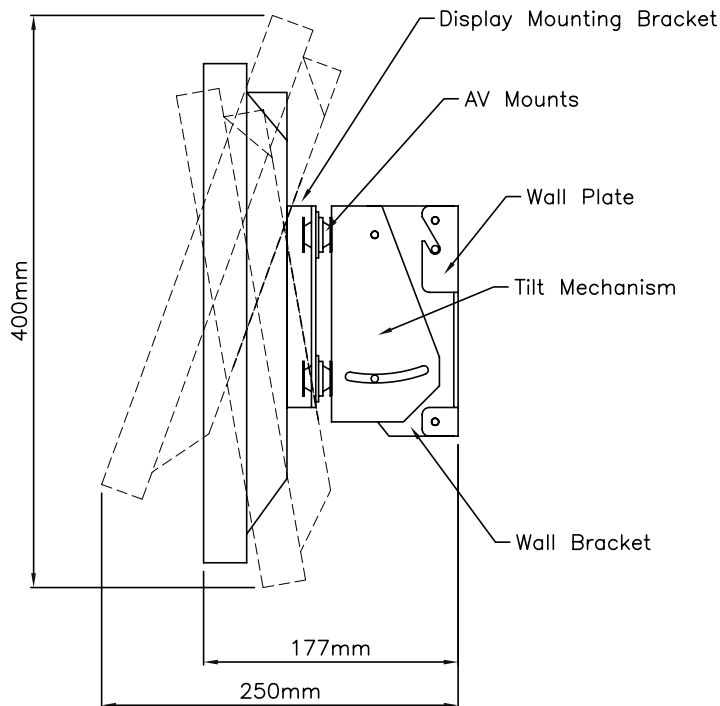
- > Vibration, Shock, Static and Dynamic Inclination
- > Dry & Damp Heat, Low Temperature
- > Acoustic Noise, Compass Safe Distance
- > High Voltage, Power Supply Variation & Power Supply Failure
- > Conducted LF & RF, Electromagnetic Field
- > Radiated & Conducted Emissions, Electrostatic Discharge
- > Insulation Resistance, Burst / Fast Transients
- > Surge Immunity, Access to Dangerous Voltages

MS1115

Mariner Kit for use with the HP L1950 19-inch TFT monitor (Wall mount)



HP L1950 19" TFT Monitor



Mariner Systems (UK) Limited
 Oaklands Park • Wokingham • Berkshire • RG41 2FD • United Kingdom
 Telephone: +44 (0) 118 979 6020 • Facsimile: +44 (0) 118 979 6021
 sales@marinersystems.com • www.marinersystems.com

OPERATING GUIDELINES

Although all our equipment is tested against extreme environmental conditions for the purposes of marine type-approval, installation should take into account the following guidelines:

- > Keep the monitor away from excessive moisture, direct moisture and the extremes of heat and cold to ensure, where possible, that the unit is within the following operating/non-operating ranges:

	Operating	Non-Operating
Temperature	+5° to +35°C (+41° to +95°F)	-20° to +60°C (-4° to +140°F)
Humidity	20% to 80% (non-condensing)	5% to 90% (non-condensing)

- > Leave clearance on all vented sides of the monitor to permit the required airflow
- > Never restrict airflow into the monitor by blocking any vents or air intakes
- > If the monitor is to be operated within a separate enclosure, suitable ventilation should be provided

By following these guidelines you will maximise the life of your equipment and minimise service costs.

STATISTICS

Overall Fitted Dimensions	414mm (w) x 400mm (h) x 250mm (d)
Weight (Mariner Kit only)	1.6 Kg
Weight (including hardware)	6.1 Kg
Type	Active matrix, thin film transistor (TFT)
Viewable Image Area (diagonal)	19 in (48.25cm)
Screen Opening (W x H)	14.9 x 11.9 in (37.8 x 30.3 cm)
Recommended Resolution	1280 x 1024 @ 60 Hz
Mariner Kit Tilt Range	10 degrees down; 20 degrees up
Viewing Angle (typical)	Up to 160 degrees horizontal / 160 degrees vertical (10:1 contrast ratio)
Brightness (typical)	Up to 300 nits (cd/m ²)
Contrast Ratio (typical)	Up to 800:1
Response Rate (typical)	5 ms (rise + fall)
Pixel Pitch	0.294 mm
Plug and Play	Yes (supports VESA DDC2B and DDC/CI; PC2001 compliant)
Input Signal	Two connectors: one 15-pin mini D-sub analog VGA and one DVI-D
Video Cable Length	70.9 in (1.8 m); detached
Buttons or Switches	Power on/off; 3-button OSD
Power Supply	90 - 265 VAC; auto-ranging, internally integrated
Power Cable Length	74.8 in (1.9 m); detached

Design and specifications are subject to change without notice. E&OE.