

MS630

Mariner Kit for use with HP
Procurve Switches (2312 / 2324 / 2512 / 2524)



HP Procurve Switches 2312 / 2324 / 2512 / 2524 are marine type-approved by all of the major international marine Classification Societies when installed in conjunction with our Mariner Kit MS630.

The MS630 Mariner Kit affords protection against the effects of vibration and shock experienced in the offshore marine environment and has been type-tested against IACS Unified Requirement E10 and the relevant sections of IEC60945 (see overleaf for test details).

This type-approved combination of hardware and Mariner Kit can be used as the platform for your critical navigation, control, loading and general purpose applications (please check individual type-approval certificates for any restrictions).

**“Steer the right course with
Mariner Systems”**



WHAT IS SO SPECIAL ABOUT HP PROCURVE SWITCHES 2312 / 2324 / 2512 / 2524?

- ◆ 9.6 Gbps switch fabric integrated on-chip: high performance switch design with a non-blocking architecture
- ◆ HP Auto-MDIX: automatically adjusts for straight-through or crossover cables on all 10/100 and 100/1000 ports
- ◆ Lifetime warranty: for as long as you own the product, with next day business day advance replacement (available in most countries)
- ◆ Media-flexible uplink ports: provides Gigabit or 100-FX ports for uplinks or server connections
- ◆ 10/100 auto-sensing per port: automatically detects and sets the speed for any 10Base-T or 100Base-TX device
- ◆ Flow control: ensures reliable communication during full-duplex operation
- ◆ Comprehensive LED display with per-port indicators: provides an at-a-glance view of status, activity, speed, and full-duplex operation
- ◆ Half/full-duplex auto-negotiating capability on every port: double the throughput of every port

Every Mariner system is type-tested against the consolidated, 'worst-case' requirements of all the major international marine Classification Societies:

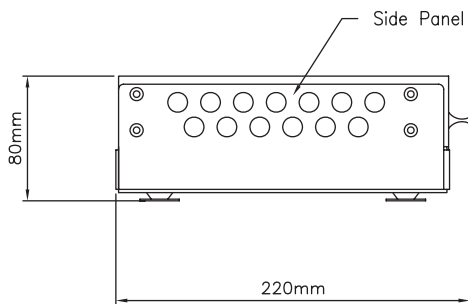
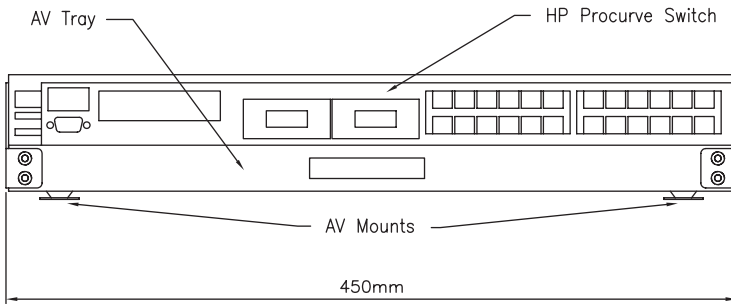
ABS, BV, CCS, DNV, GL, KR, LR, NKK, PRS, RINA

Type-tests included on the test programme are as follows:

- > Vibration, Static and Dynamic Inclination
- > Dry & Damp Heat, Low Temperature
- > Acoustic Noise, Compass Safe Distance
- > High Voltage, Power Supply Variation & Power Supply Failure
- > Conducted LF & RF, Electromagnetic Field
- > Radiated & Conducted Emissions, Electrostatic Discharge
- > Insulation Resistance, Burst / Fast Transients
- > Surge Immunity, Access to Dangerous Voltages

MS630

Mariner Kit for use with HP
Procurve Switches (2312 / 2324 / 2512 / 2524)



Mariner Systems (UK) Limited
Oaklands Park • Wokingham • Berkshire • RG41 2FD • United Kingdom
Telephone: +44 (0) 118 979 6020 • Facsimile: +44 (0) 118 979 6021
sales@marinersystems.com • www.marinersystems.com

OPERATING GUIDELINES

Although all our equipment is tested against extreme environmental conditions for the purposes of marine type-approval, installation should take into account the following guidelines:

- > Keep the switch away from excessive moisture, direct moisture and the extremes of heat and cold, to ensure that the unit is within the manufacturer's specified operating/non-operating ranges:

	Operating	Non-Operating
Temperature	+0° to +55°C (+32° to +131°F)	-40° to +70°C (+22° to +158°F)
Humidity	15% to 95% at 40°C (104°F), non-condensing	15% to 90% at 65°C (149°F), non-condensing

- > Leave clearance on all vented sides of the switch to permit the required airflow
- > Never restrict airflow into the switch by blocking any vents or air intakes
- > If the switch is to be operated within a separate enclosure, suitable ventilation must be provided

By following these guidelines you will maximise the life of your equipment and minimise service costs.

STATISTICS

Overall Fitted Dimensions	450mm (w) x 80mm (h) x 220mm (d)
Weight (Mariner Kit only)	Approx 1.5 Kg
Weight (including hardware)	Approx 4.2 Kg
Ports	2312 / 2512: 12 RJ-45 10/100Base-TX ports (IEEE 802.3 Type 10Base-T; 802.3u Type 100Base-TX) 2324 / 2524: 24 RJ-45 10/100Base-TX ports (IEEE 802.3 Type 10Base-T; 802.3u Type 100Base-TX) 2312 / 2324 / 2512 / 2524: two open transceiver slots and one RS-232C DB-9 download/console port
Memory & Processor	Pocket buffer size: 6 MB shared packet buffers RAM/ROM capacity: 26 MB Processor type & speed: ARM7TDMI @ 62.5 MHz Flash capacity: 2 MB
Performance	Latency: <10 µs (LIFO) Throughput: 6.6 Mpps (based on 64-byte packets) Switch fabric speed: 9.6 Gbps Address table size: 4,096
Electrical Characteristics	Heat dissipation/hour: 123 BTU/hr Maximum wattage: 36 W AC Voltage: 100-127 VAC, 200-240 VAC Maximum current: 2.4 A max, 1.2 A max Frequency range: 50-60 Hz

Design and specifications are subject to change without notice. E&OE.