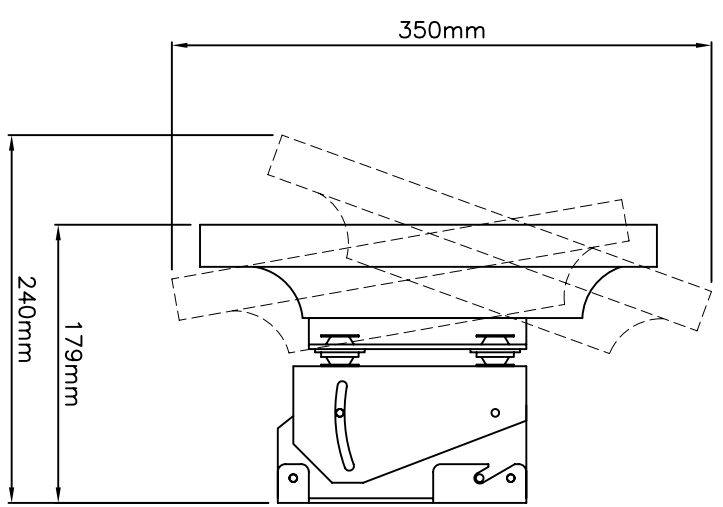
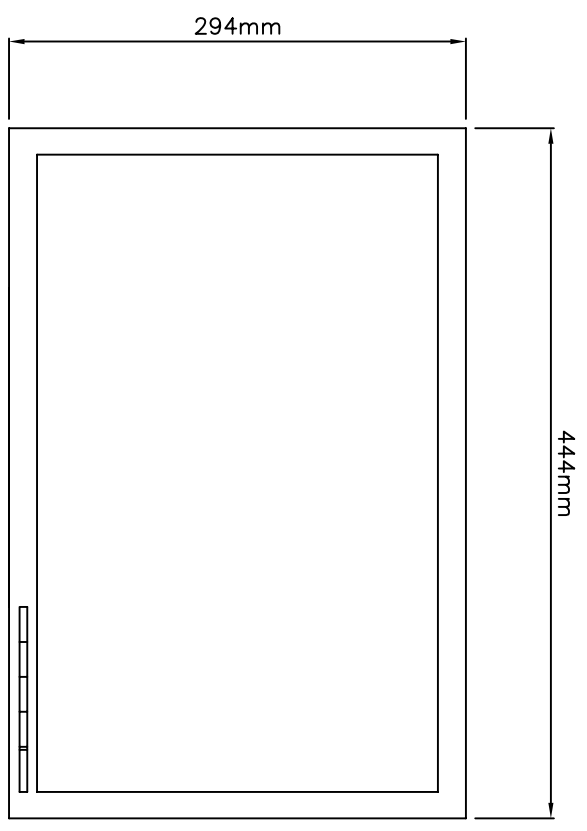
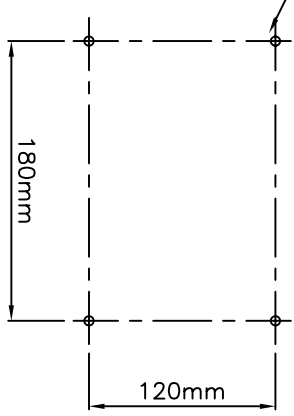


REFER TO NOTE 1



NOTES: 1) SECURE BRACKET TO WORKTOP USING M5 x 35mm PAN (4 OFF) - WORKTOP ASSUMED TO BE 25mm DEPTH

2) HOLE DETAILS:

'A': M5 CLEARANCE (4 OFF)

3) ALLOW 10mm CLEARANCE ON OVERALL DIMENSIONS FOR VIBRATION & VENTILATION

4) ANTI-VIBRATION MOUNT DETAIL: BARRY CONTROLS / STOP-CHOC M2K22-00181 (4 OFF)

5) MONITOR TILT RANGE -10 / +20 DEGREES

MARINER
SYSTEMS
(UK) LTD

USED IN CONJUNCTION WITH:
HP LA1905wg 19" TFT WIDESCREEN MONITOR
(WALL MOUNT)

DRAWING TITLE: MS1215 ASSEMBLY

SCALE: DRAWN 1:1 DWG NO: MS1215_A
ISSUE: 1 DATE: 29 NOV 2009