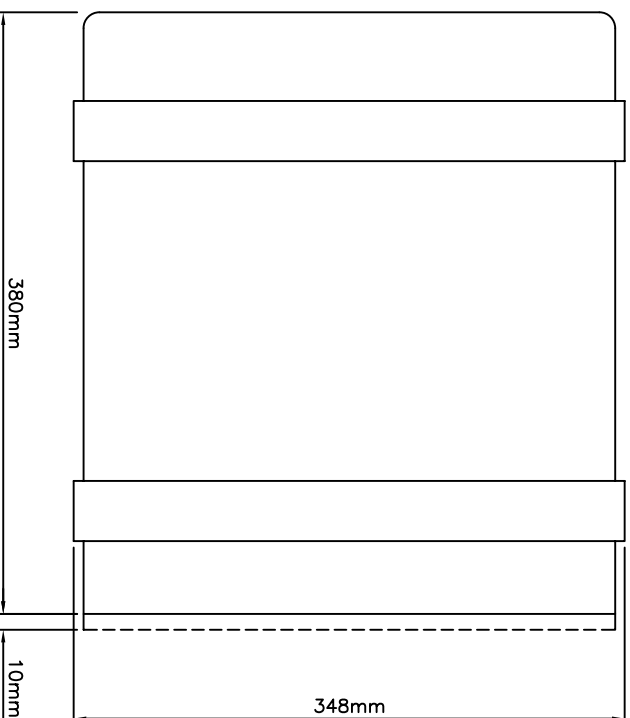
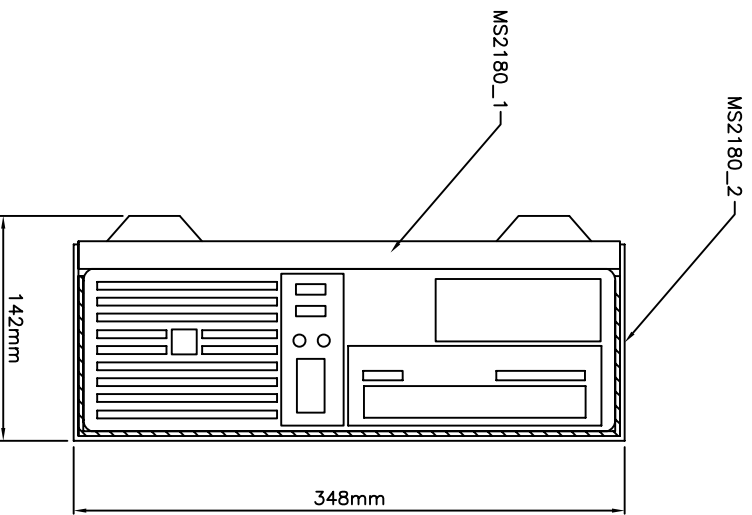


DRILLING DETAIL



- NOTES:
- 1) SECURE TRAY TO PANEL USING M6 x 30mm PAN (4 OFF)
 - 2) MAXIMUM PANEL DEPTH ASSUMED TO BE 10mm
 - 3) HOLE DETAILS:
 - 'A': M6 CLEARANCE (4 OFF)
 - 4) ALLOW 10mm CLEARANCE ON OVERALL DIMENSIONS FOR VIBRATION & VENTILATION
 - 5) ANTI-VIBRATION MOUNT DETAIL: BARRY CONTROLS / STOP-CHOC M2K70-00280 (4 OFF)
 - 6) COMPATIBLE ACCESSORIES: CB100, CM200, KB100

MARINER
SYSTEMS
(UK) LTD

USED IN CONJUNCTION WITH:
HP COMPAQ dc7900 SFF PC
(VERTICAL MOUNT)

DRAWING TITLE: MS2180 ASSEMBLY

SCALE: DRAWN 1:1 DWG NO: MS2180_A

ISSUE: 1 DATE: 25 NOV 2008