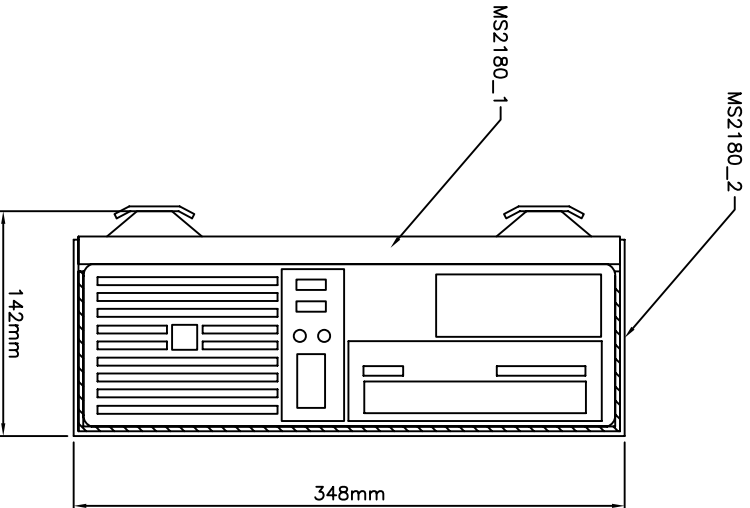
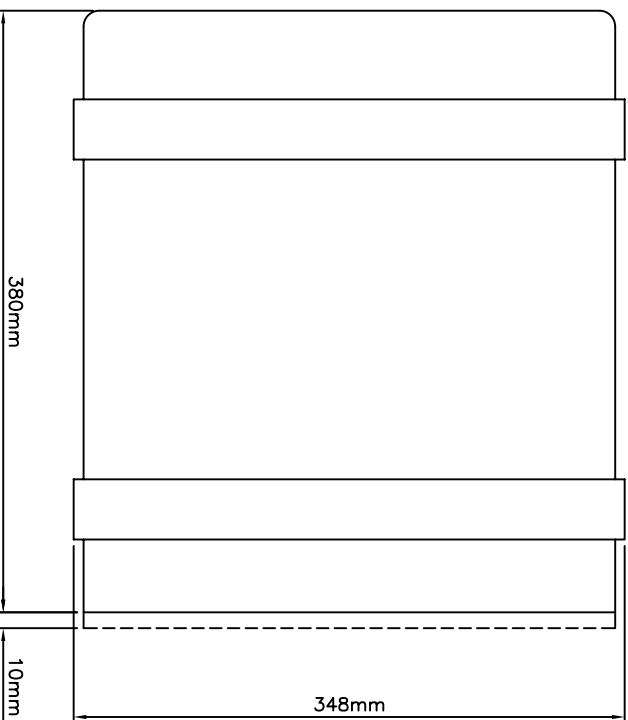


MARINER KIT FOOTPRINT

STUD LOCATION DETAIL
WHEN UTILISING CB100 BRACKETS



FRONT ELEVATION



SIDE ELEVATION

- NOTES: 1) SECURE KIT TO DOOR PANEL USING M5 NYLOC NUT AND WASHER (4 OFF)
 2) HOLE DETAILS:
 'A': M5 x 14mm STUD (4 OFF)
 3) ALLOW 10mm CLEARANCE ON OVERALL DIMENSIONS FOR VIBRATION & VENTILATION
 4) ANTI-VIBRATION MOUNT DETAIL: BARRY CONTROLS / STOP-CHOC M2K70-00280 (4 OFF)
 5) COMPATIBLE ACCESSORIES: CB100, CM200, KB100

MARINER
SYSTEMS
(UK) LTD

USED IN CONJUNCTION WITH:
HP COMPAQ dc7900 SFF PC
(VERTICAL MOUNT)

DRAWING TITLE: MS2180 ASSEMBLY
 SCALE: DRAWN 1:1 DWG NO: MS2180_CBA
 ISSUE: 1 DATE: 25 NOV 2008