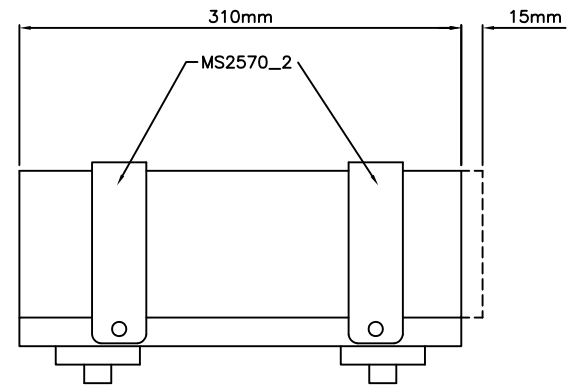
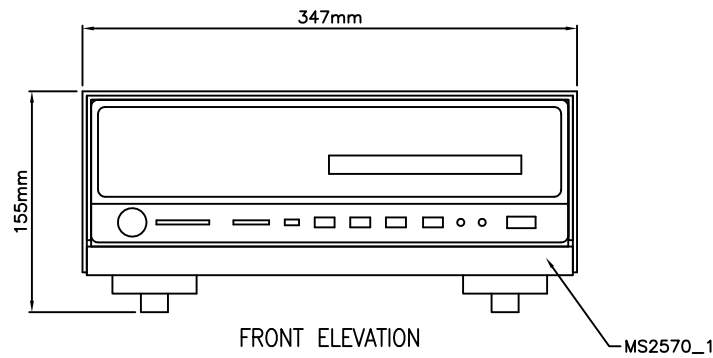


DRILLING DETAIL



SIDE ELEVATION

- NOTES:
- 1) SECURE TRAY TO WORKTOP USING M6 x 30mm PAN (4 OFF)
 - 2) MAXIMUM WORKTOP DEPTH ASSUMED TO BE 10mm
 - 3) HOLE DETAILS:
'A': M6 CLEARANCE (4 OFF)
 - 4) ALLOW 10mm CLEARANCE ON OVERALL DIMENSIONS FOR VIBRATION & VENTILATION
 - 5) ANTI-VIBRATION MOUNT DETAIL: HUTCHINSON STOP-CHOC MIJ99-00180 (4 OFF)
 - 6) COMPATIBLE ACCESSORIES: AB1020, CM200, KB200
 - 7) ENSURE RF 1004-MST-C IN-LINE FILTER IS FITTED TO THE AC POWER SUPPLY

MARINER
SYSTEMS
(UK) LTD

USED IN CONJUNCTION WITH:
HP EliteDesk 800 G5 SFF PC
(HORIZONTAL MOUNT)

DRAWING TITLE: MS2570 ASSEMBLY

SCALE: DRAWN 1:1
ISSUE: 1

DWG NO: MS2570_A
DATE: 13 NOV 2019