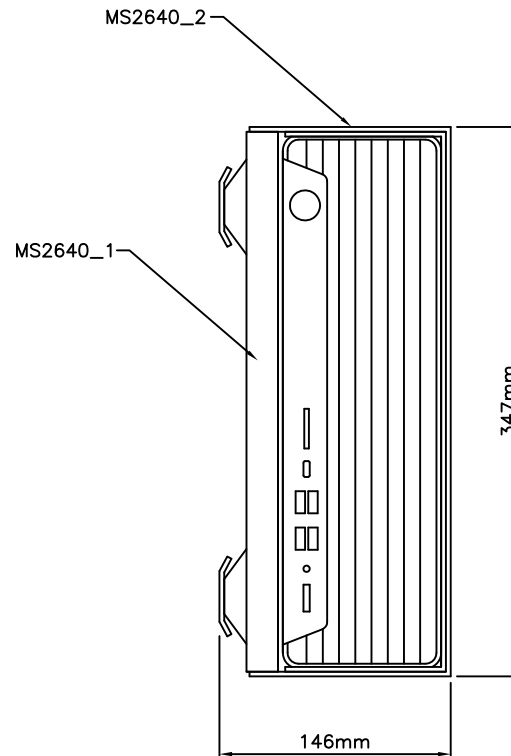
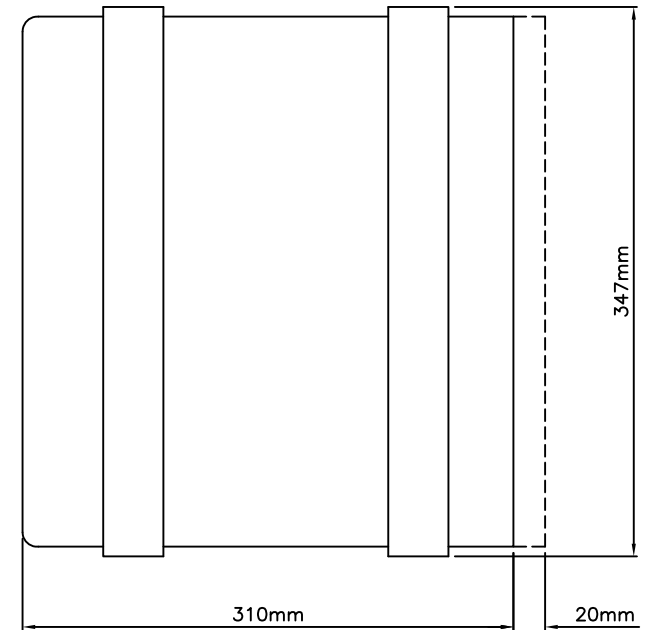


STUD LOCATION DETAIL  
WHEN UTILISING CB200 BRACKETS



FRONT ELEVATION



SIDE ELEVATION

- NOTES: 1) SECURE KIT TO DOOR PANEL USING M5 NYLOC NUT AND WASHER (4 OFF)  
 2) HOLE DETAILS:  
 'A': M5 x 14mm STUD (4 OFF)  
 3) ALLOW 10mm CLEARANCE ON OVERALL DIMENSIONS FOR VIBRATION & VENTILATION  
 4) ANTI-VIBRATION MOUNT DETAIL: BARRY CONTROLS M2K70-00280 (4 OFF)  
 5) COMPATIBLE ACCESSORIES: CB200  
 6) ENSURE RF 1004-MST-C IN-LINE FILTER IS FITTED TO THE AC POWER SUPPLY

MARINER  
SYSTEMS  
(UK) LTD

USED IN CONJUNCTION WITH:  
HP EliteDesk 800 G6 SFF PC  
(VERTICAL MOUNT)

DRAWING TITLE: MS2640 ASSEMBLY

SCALE: DRAWN 1:1  
ISSUE: 1

DWG NO: MS2640\_CBA  
DATE: 18 FEB 2021