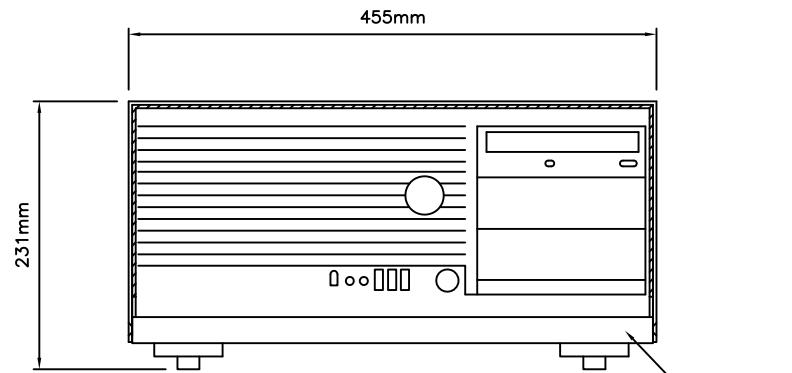
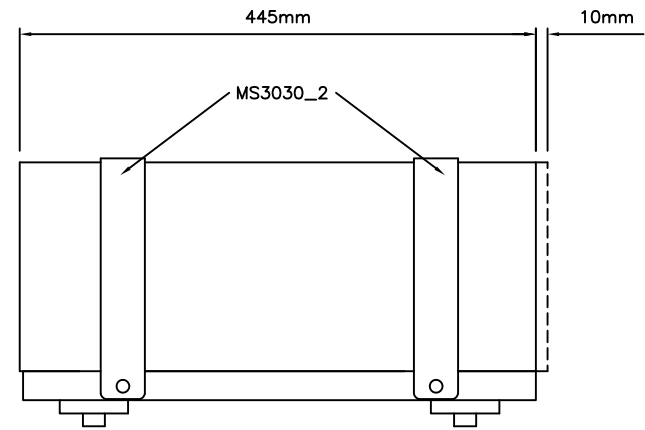


DRILLING DETAIL



FRONT ELEVATION



SIDE ELEVATION

- NOTES:
- 1) SECURE TRAY TO WORKTOP USING M6 x 30mm PAN (4 OFF)
  - 2) MAXIMUM WORKTOP DEPTH ASSUMED TO BE 10mm
  - 3) HOLE DETAILS:  
'A': M6 CLEARANCE (4 OFF)
  - 4) ALLOW 10mm CLEARANCE ON OVERALL DIMENSIONS FOR VIBRATION & VENTILATION
  - 5) ANTI-VIBRATION MOUNT DETAIL: BARRY CONTROLS / STOP-CHOC M1J99-00180 (4 OFF)
  - 6) COMPATIBLE ACCESSORIES: CM200, KB100
  - 7) AFFIX ADHESIVE PADS SUPPLIED IN HP ACCESSORY PACK TO UNDERSIDE OF Z420 WORKSTATION PRIOR TO ASSEMBLING MARINER KIT
  - 8) ENSURE RF 1004-MST-B IN-LINE FILTER IS FITTED TO THE AC POWER SUPPLY

MARINER  
SYSTEMS  
(UK) LTD

USED IN CONJUNCTION WITH:  
HP Z420 WORKSTATION  
(DESKTOP CONFIGURATION)

DRAWING TITLE: MS3030 ASSEMBLY

SCALE: DRAWN 1:1  
ISSUE: 1

DWG NO: MS3030\_A  
DATE: 02 FEB 2013